



# CIVIL PRECAST SOLUTIONS

ENGINEERED CONCRETE SOLUTIONS



Concrete Blocks 

Retaining Wall Installations 

Concrete Slabs 

Concrete Fencing 

## □ SUPPLY, FABRICATION & INSTALLATION SPECIALIST

With over 25 years providing services to the industry CPS produce Precast components in controlled conditions that enables us to manufacture units to tight tolerances, of varying shapes and with highly attractive architectural finishes. Compared with other materials, precast concrete can provide benefits in fire resistance, durability, thermal and acoustic properties, installation time and can perform its function immediately upon arrival at site therefore eliminating on-site curing time.



CIVIL PRECAST SOLUTIONS  
NEEDED CONCRETE SOLUTIONS



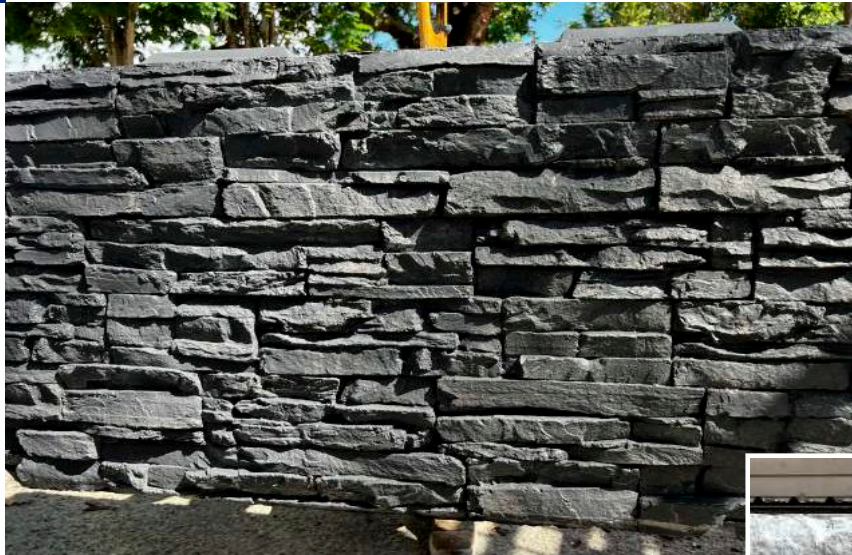
□ TEXTURED, PLAIN AND COLOURED BLOCK WALL OPTIONS



**Narrow Stacked Stone**  
textured block pictured  
in grey and white  
coloured concrete



□ TEXTURED, PLAIN AND COLOURED BLOCK WALL OPTIONS



**Wide Stacked Stone**  
textured block pictured  
in plain concrete  
(without colour)

**Narrow Stacked Stone**  
textured block pictured  
painted with Dulux  
Weathershield



□ TEXTURED, PLAIN AND COLOURED BLOCK WALL OPTIONS



**Travertine Stone**  
textured block  
pictured in plain  
concrete  
(without colour)

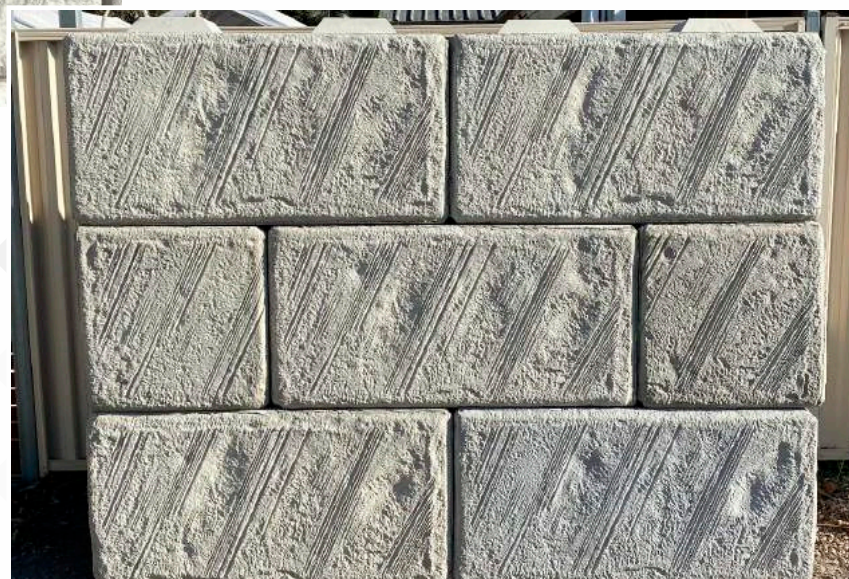
**Heritage Stone**  
textured block  
pictured in plain  
concrete  
(without colour)



□ TEXTURED, PLAIN AND COLOURED BLOCK WALL OPTIONS



**Sandstone**  
textured block  
pictured in plain  
concrete  
(without colour)



□ TEXTURED, PLAIN AND COLOURED BLOCK WALL OPTIONS



CIVIL PRECAST SOLUTIONS



**Plain Interlocking**

blocks pictured  
in grey coloured  
concrete (top)  
and plain concrete  
(without colour)



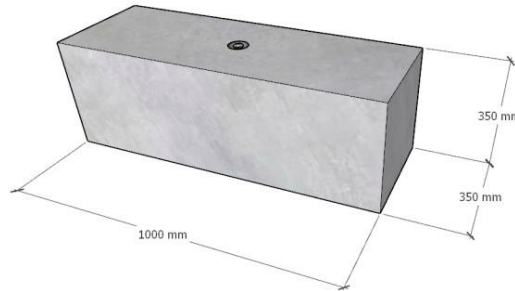
**PRICE LIST 2022 ENGINEERED INTERLOCKING  
CONCRETE BLOCKS FOR RETAINING WALLS**



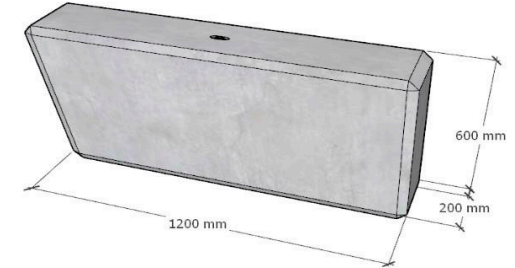
CIVIL PRECAST SOLUTIONS

Precast concrete block sizes: LENGTH X HEIGHT X WIDTH

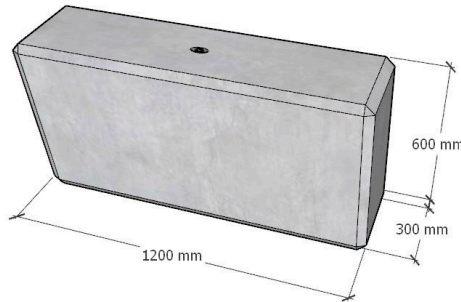
**1000mm x 350mm x 350mm  
FLAT BLOCK  
280kg**



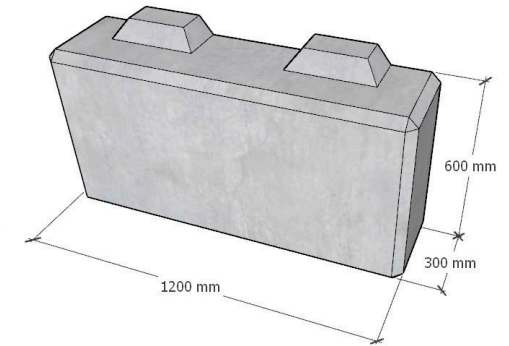
**1200mm x 600mm x 200mm  
FLAT BLOCK  
350kg**



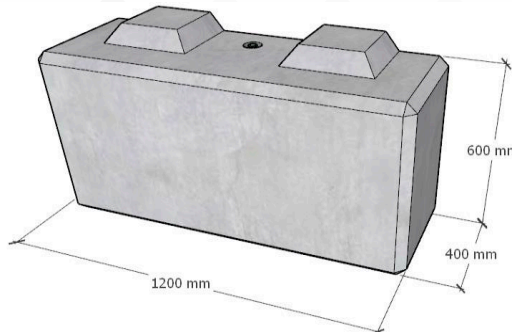
**1200mm x 600mm x 300mm  
FLAT BLOCK  
550kg**



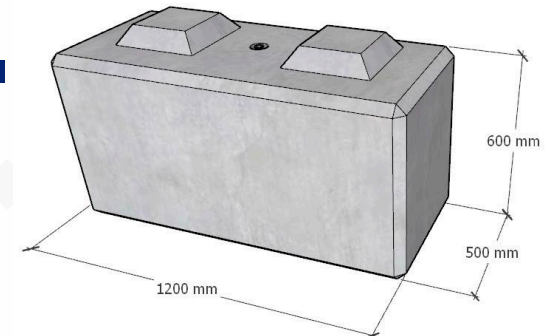
**1200mm x 600mm x 300mm  
INTERLOCKING BLOCK  
550kg**



**1200mm x 600mm x 400mm  
INTERLOCKING BLOCK  
750kg  
(ALSO AVAILABLE IN FLAT TOP)**



**1200mm x 600mm x 500mm  
INTERLOCKING BLOCK  
850kg  
(ALSO AVAILABLE IN FLAT TOP)**



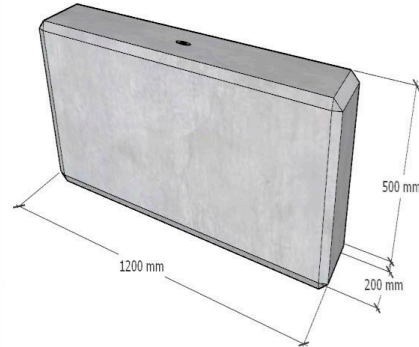




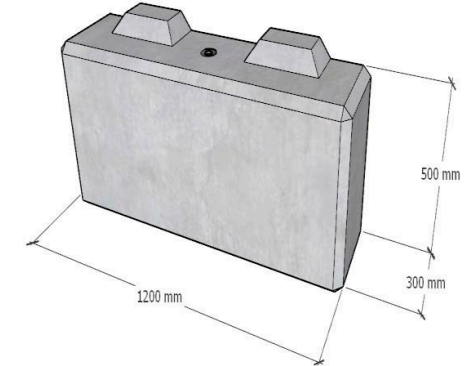
**PRICE LIST 2022 ENGINEERED INTERLOCKING CONCRETE BLOCKS FOR RETAINING WALLS**

Precast concrete block sizes: LENGTH X HEIGHT X WIDTH

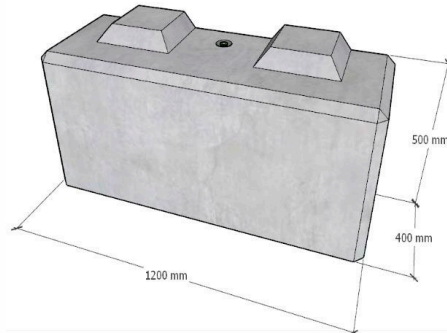
**1200mm x 500mm x 200mm  
FLAT BLOCK  
290kg**



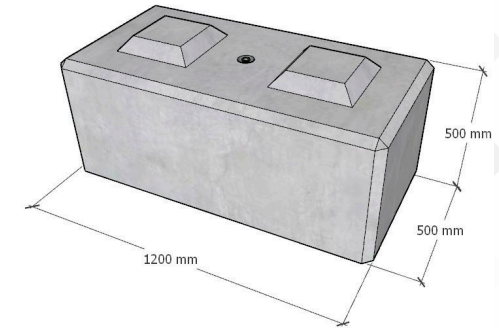
**1200mm x 500mm x 300mm  
INTERLOCKING BLOCK  
430kg  
(ALSO AVAILABLE IN FLAT TOP)**



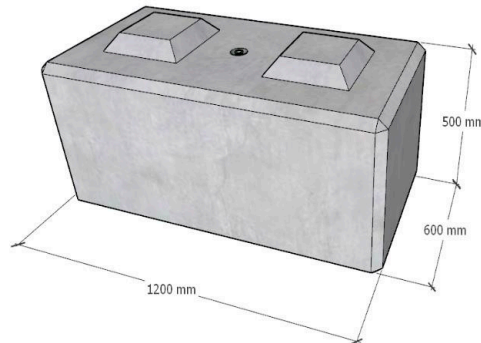
**1200mm x 500mm x 400mm  
INTERLOCKING BLOCK  
575kg  
(ALSO AVAILABLE IN FLAT TOP)**



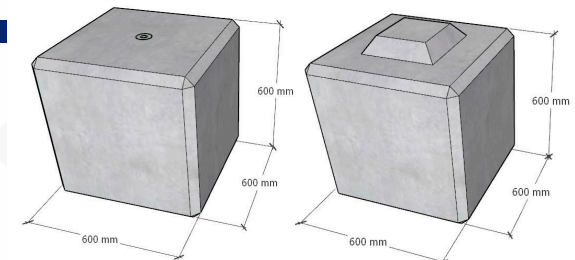
**1200mm x 500mm x 500mm  
INTERLOCKING BLOCK  
720kg  
(ALSO AVAILABLE IN FLAT TOP)**



**1200mm x 500mm x 600mm  
1000kg  
Standard Block  
(ALSO AVAILABLE IN FLAT TOP)**



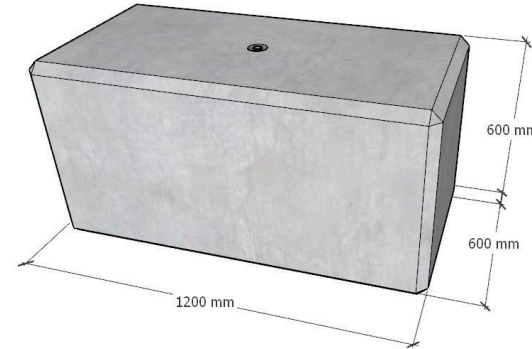
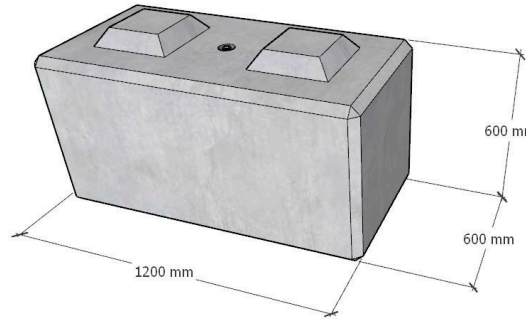
**600mm x 600mm x 600mm  
500kg  
Standard Block  
(ALSO AVAILABLE IN FLAT TOP)**



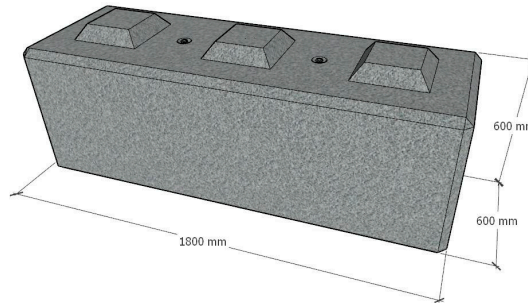
**PRICE LIST 2022 ENGINEERED INTERLOCKING  
CONCRETE BLOCKS FOR RETAINING WALLS**

Precast concrete block sizes: LENGTH X HEIGHT X WIDTH

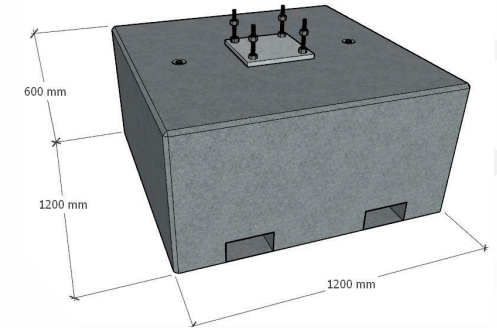
**1200mm x 600mm x 600mm**  
**1000kg**  
**(ALSO AVAILABLE IN FLAT TOP)**



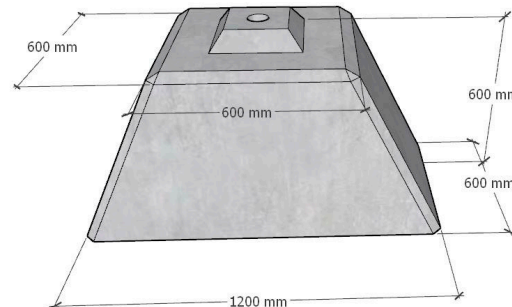
**1800mm x 600mm x 600mm**  
**1500kg**  
**Large block**  
**(ALSO AVAILABLE IN FLAT TOP)**



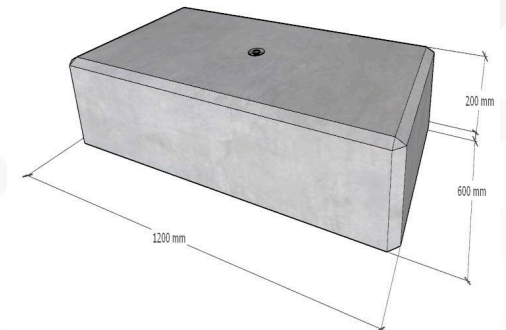
**1200mm x 1200mm x 600mm**  
**2000kg**  
**BASE POLE/SOLAR PANEL BLOCK**



**1200mm x 600mm x 600mm**  
**800kg**  
**PYRAMID/FOOTING BASE BLOCK**

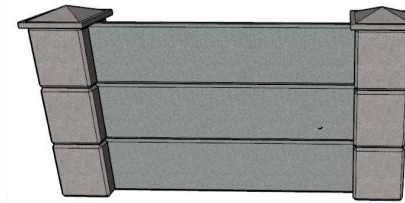
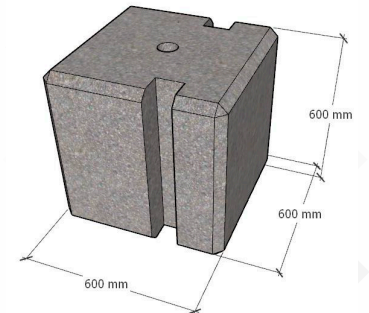
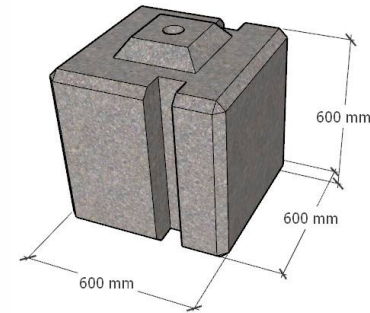


**1200mm x 200mm x 600mm**  
**345KG**  
**CAPPING BLOCK**

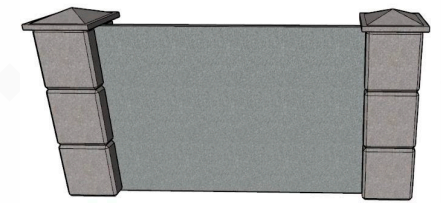


**PRECAST FENCING BLOCK SYSTEM:**

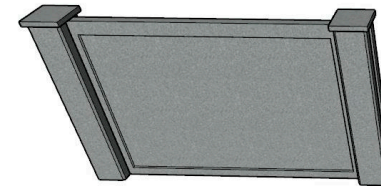
**600X600X600**  
**INTERLOCKING AND FLAT FENCE COLUMN BLOCKS**  
**500KG**



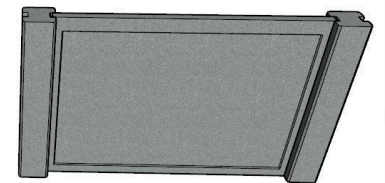
**FENCING TYPE A**



**FENCING TYPE B**



**FENCING TYPE C**

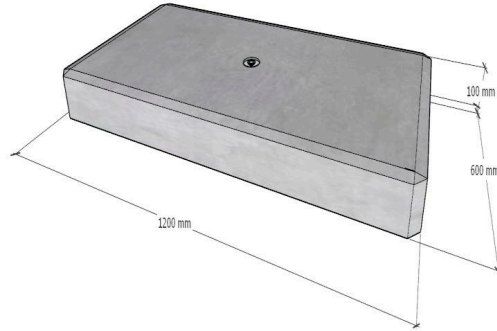


**FENCING TYPE C  
 OPTIONAL TEXTURED**

**PRICE LIST 2022 ENGINEERED INTERLOCKING  
 CONCRETE BLOCKS FOR RETAINING WALLS**

Precast concrete block sizes: LENGTH X HEIGHT X WIDTH

**1200mm x 100mm x 600mm**  
**172KG**  
**CAPPING BLOCK**



**PRICE LIST 2022 ENGINEERED INTERLOCKING  
CONCRETE BLOCKS FOR RETAINING WALLS**



Transport available on crane trucks, semi-trailers and B-doubles.  
NOTE ALL TEXTURES add \$15/per block.  
Prices exclusive of GST





# CIVIL PRECAST SOLUTIONS

ENGINEERED CONCRETE SOLUTIONS



Your Local Installer is: PRECAST CIVIL  
Retaining Wall Specialists experts in structural retaining walls



**MANNY - Operations Manager**



**1300 359 503**



**sales@civilprecastsolutions.com.au**



**www.civilprecastsolutions.com.au**



**10 Industrial Drive, Pakenham 3810**

